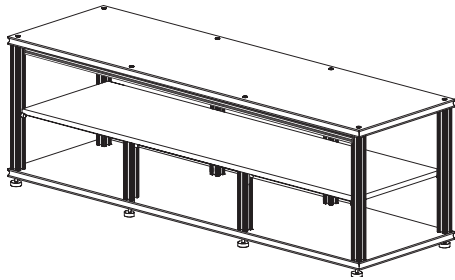
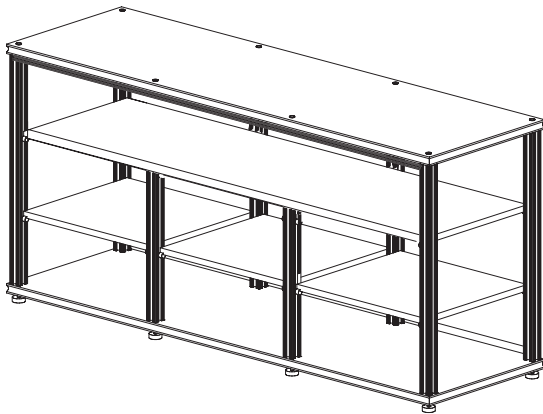


# SYNERGY SYSTEM™

Model: SLC20



Model: SLC30



## BEFORE YOU BEGIN:

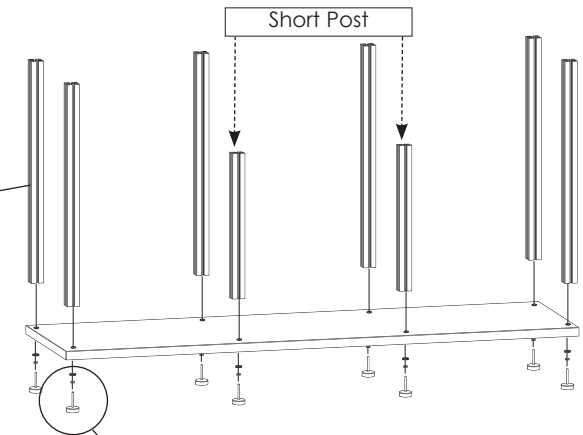
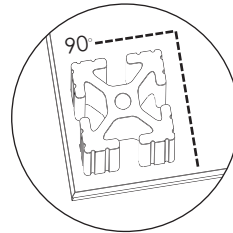
- Unpack all parts and read instructions carefully before beginning.
- Shelf pegs and door hinges must slide into the channels of the post in the correct order. They cannot be removed individually without disassembly.

# 1

## Connect Posts to Bottom Shelf

### A. Square Post

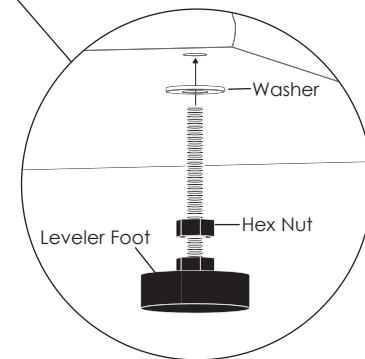
Square the post to the bottom shelf.



### B. Connect Post

Screw foot with metal washer through bottom shelf and into the end of each extruded post. Hand tighten fully and use wrench to tighten nut onto underside of shelf.

**WARNING:** Tighten by screwing the leveler foot NOT the post.



### Limited Warranty

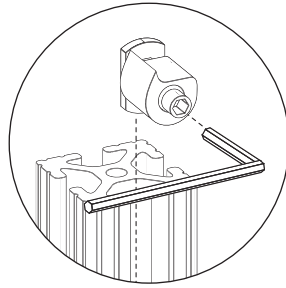
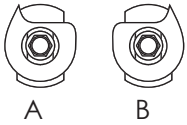
Five full years Salamander Designs Ltd will repair or replace, at our option, any product defective in materials or craftsmanship. Salamander Designs Ltd. will not be responsible for any damage to or destruction of other equipment consequential to our equipment failure. Defective product must be given Return Authorization and is to be returned to the factory prepaid, in the original carton and packing material. Any damage incurred in a shipment not in original packaging shall be the responsibility of the owner. Warranty repairs will be returned prepaid, via UPS within the continental U.S.A. only.

## 2 Add Shelf Pegs

### A. Pegs for Shelves

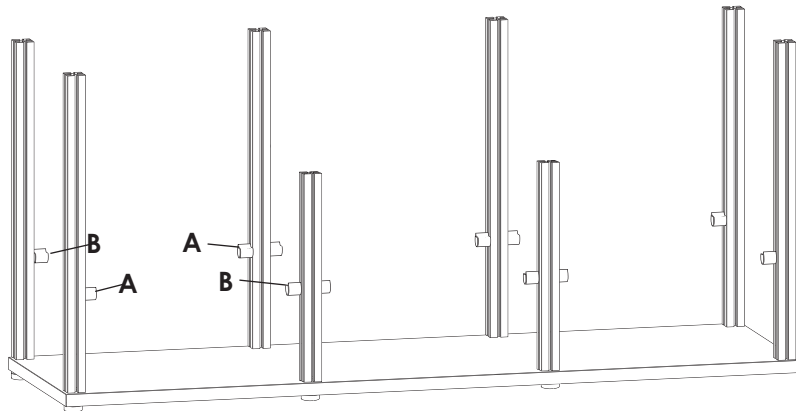
Insert one shelf peg down each post.

**NOTE:** There are two varieties of shelf pegs (A and B). They are designed to cradle the shelf in place. Refer to drawing.



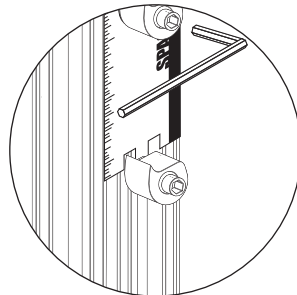
**Note:**

If installing 10" door(s), use 2 sets of shelf pegs at the top of short posts to act as door stops.



### B. Adjust Peg Height

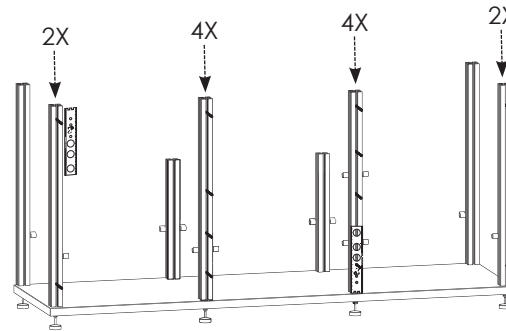
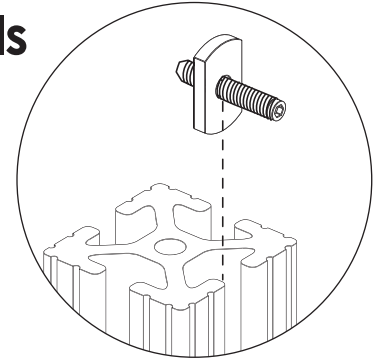
Position the shelf peg through the Spacer Tool and tighten at desired height. See step 4 for fine tuning the shelves.



## 3 Attach Rear Panels

### A. Insert Hardware

Combine the 1" threaded studs with flat nuts. Slide 2 sets of hardware down the two outside posts and 4 sets down the center post. Allow studs to remain loose at bottom of post.

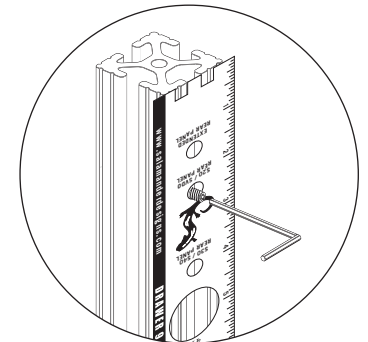


**TIP**

To ease installation of rear panels gently place the unit face down on the floor to improve alignment of panels.

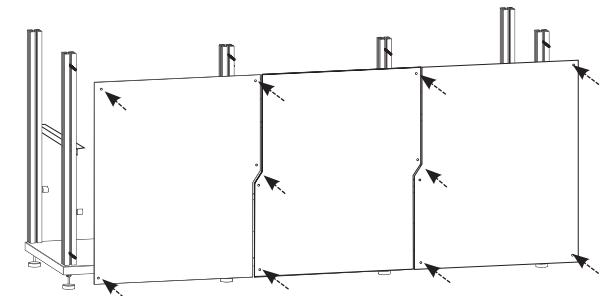
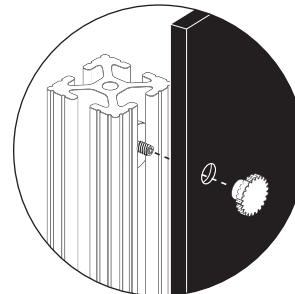
### B. Position & Secure Studs

Align the Spacer Tool at the top of each post, then position top studs through the small "Rear Panel" hole. Repeat this step with the bottom studs aligning the Tool along the bottom of post to set spacing for cable passage. Use the hex key to secure the top and bottom studs to the posts.



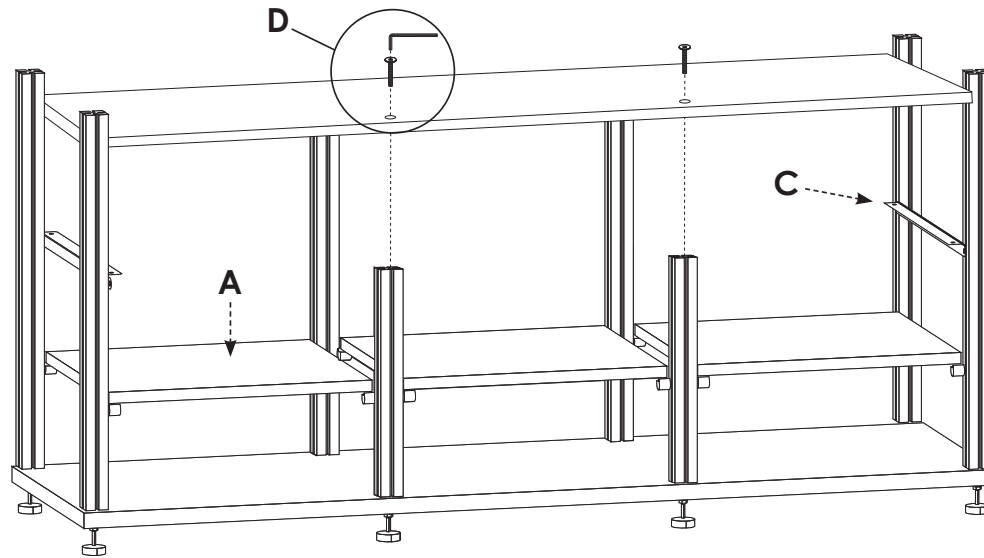
### C. Place Rear Panels

Secure each panel in place with thumb nuts.



# 4 Placing Shelves

If assembling model SLC20, skip to step C.

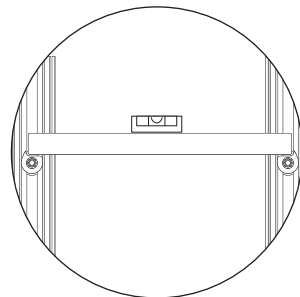


## A. Adjustable Shelves

Place shelves from the bottom up. Angle the shelf in between the front post and set on top of shelf pegs.

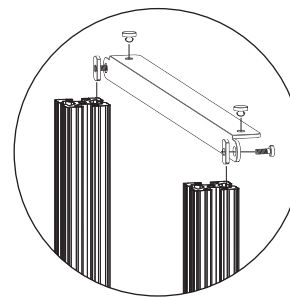
## B. Fine Tuning

Use the bubble level to precisely adjust the adjustable shelves. Be sure to level both sides as well as front to back. Use the hex key to tighten each peg.



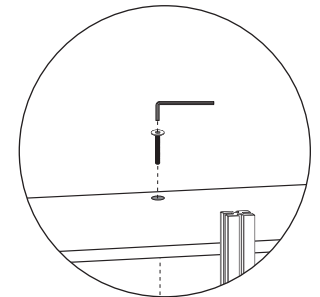
## C. Bracket

Loosely install brackets down outer posts. Place rubber shelf tabs through bracket.



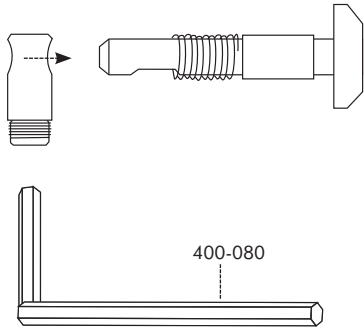
## D. Triple-Width Shelf

Place shelf on center posts and secure with bolts. **Note:** Raise brackets to bottom of shelf and tighten in place.

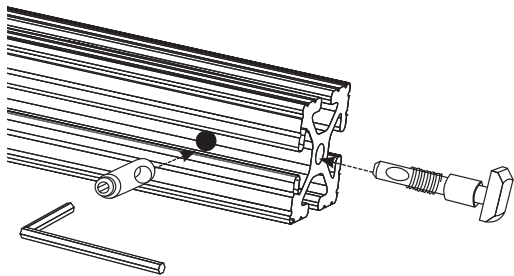


## 5 Install Spanner

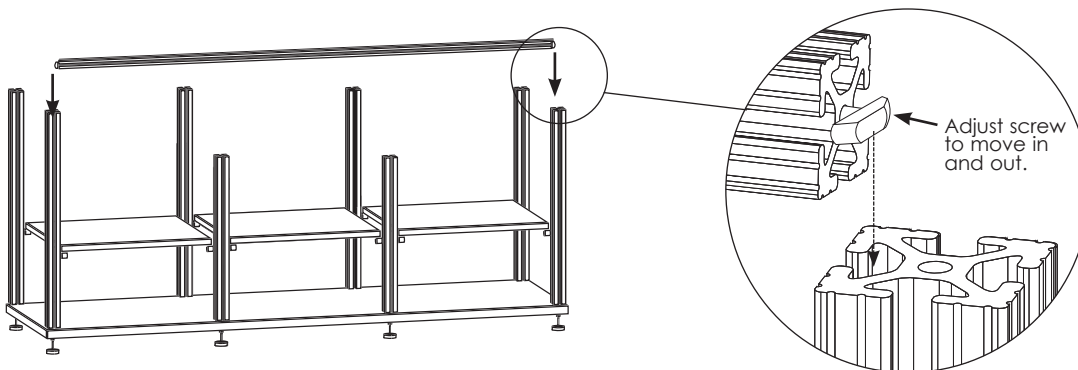
**A.** Disassemble cross dowel using the hex key as shown.



**B.** Install the cross dowels into both ends of the spanner as shown. Gently tighten the set screw in place with the hex key. (Adjust set screw to move dowel fastener in and out as needed.)



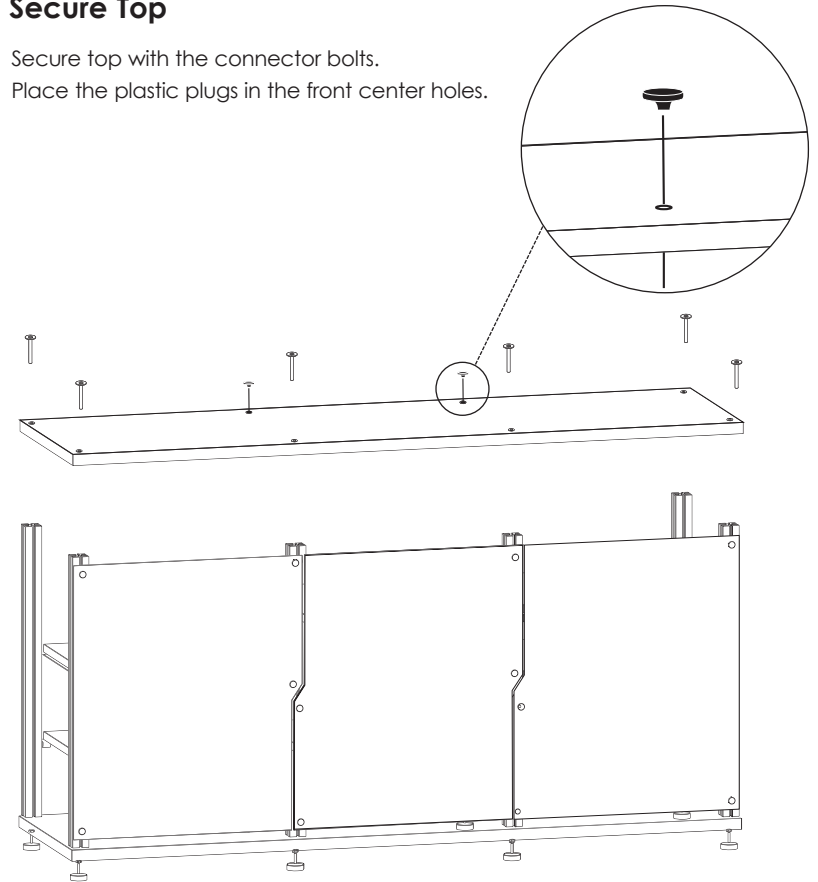
**C.** Slide the spanner post into the front two riser posts.



## 6 Top Assembly

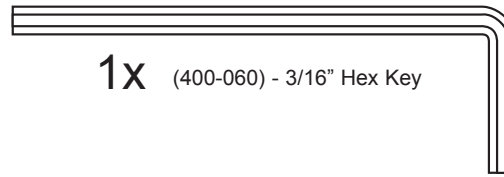
**A. Secure Top**

Secure top with the connector bolts.  
Place the plastic plugs in the front center holes.

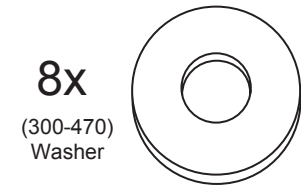


# Parts

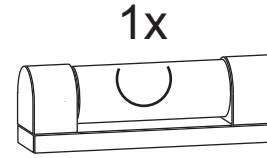
- 8 - Aluminum Posts
- 1 - Top Shelf
- 1 - Bottom Shelf
- 3 - Rear Panels
- 1 - Wrench
- 3 - Adjustable Shelf (SLC30 only)
- 1 - Spacer Tool
- 2 - Heavy Duty Shelf Bracket
- 1 - Triple Width Shelf
- 1 - Spanner



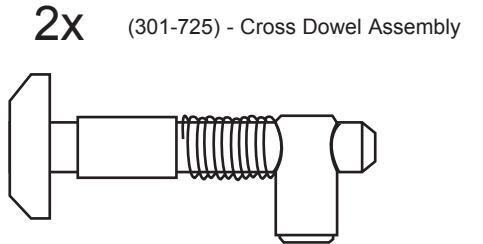
1x (400-060) - 3/16" Hex Key



8x  
(300-470)  
Washer

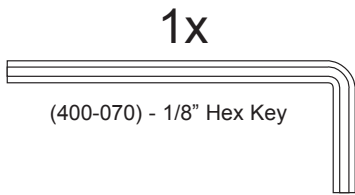


(P-400-040) - Level

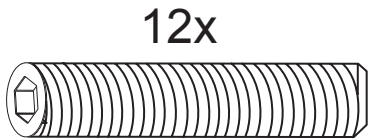


2x (301-725) - Cross Dowel Assembly

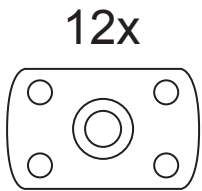
## Rear Panel Hardware (PHK-240)



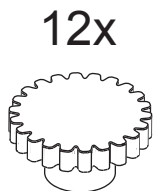
(400-070) - 1/8" Hex Key



(300-510) - Stud

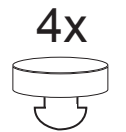


(300-560) - Flat Nut

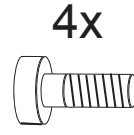


(300-530) - ThumbNut

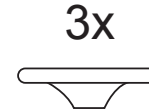
## Triple-Width Shelf Hardware - (PHK-505)



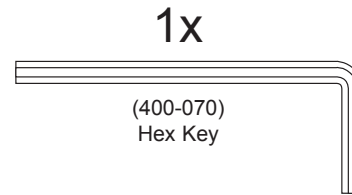
(300-610)  
Rubber Tab



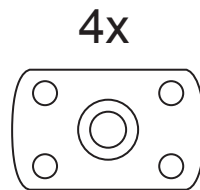
(300-490)  
Low Head Screw



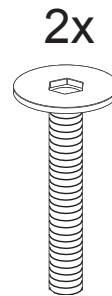
(301-280)  
Cap Plugs



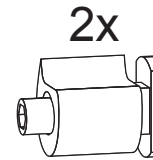
(400-070)  
Hex Key



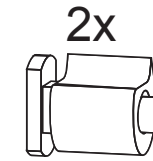
(300-560) - Flat Nut



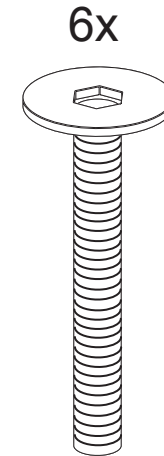
(300-550)  
Connector Bolt



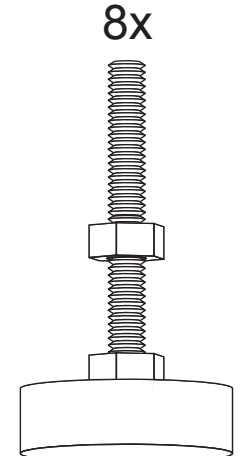
(PHK-380)  
Shelf Peg "A" -Left



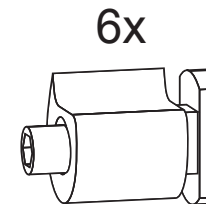
(PHK-370)  
Shelf Peg "B" -Right



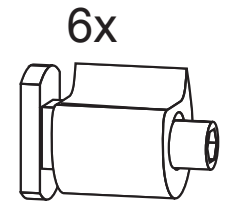
(300-540)  
Connector Bolt



(P-300-320) - Leveler Foot



(PHK-380)  
Shelf Peg "A" -Left  
SLC30 Only



(PHK-370)  
Shelf Peg "B" -Right  
SLC30 Only